

UTILITY **ELECTRIC** VEHICLE

# TIPPER



**100%** electric  
**0g** of CO<sup>2</sup>/km



## SPECIFICATIONS

- For the vehicle, refer to the chassis sheet
- Maximum payload on the deck from 500 up to 700 kg\*
- Aluminium deck
- Lifted by hydraulic cylinder. Safety device : no return valve and safety stand in upper position
- Fixed sides and rear opening

## OPTIONS



▼  
Cage



▼  
Canvas on cage



▼  
Electric watering  
and spraying system



▼  
Electric  
high pressure cleaner

**TIPPER**

**OTHER VERSION**

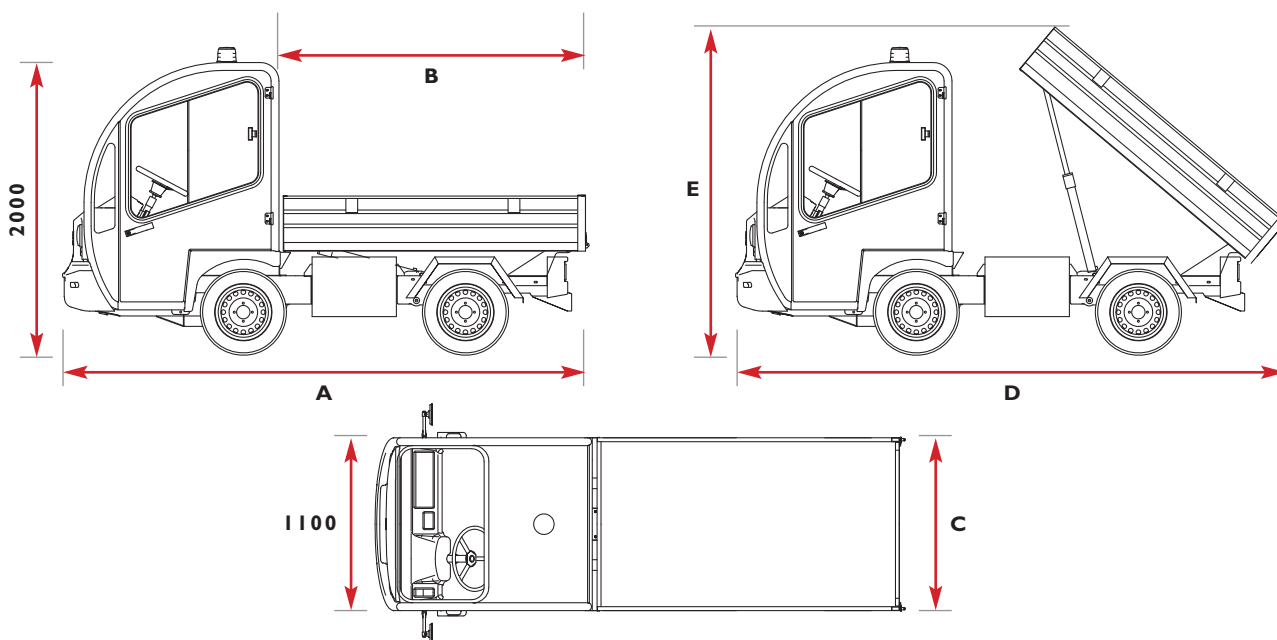


Dropside tipper, 3 opening sides



Wide tipper 1,25m usable width

**DIMENSIONS**



	Short version G3-S	Long version G3-L
	<p><b>Vehicle</b></p> <p>Length (A) : 3 370 mm Length tipped (D) : 3 510 mm Height tipped (E) : 2 130 mm</p>	<p><b>Vehicle</b></p> <p>Length (A) : 3 870 mm Length tipped (D) : 4 010 mm Height tipped (E) : 2 410 mm</p>
<b>Standard version</b>	<p><b>Tipper</b></p> <p>Usable length (B) : 1 865 mm Usable width (C) : 1 035 mm Superficie : 1,93 m<sup>2</sup></p>	<p><b>Tipper</b></p> <p>Usable length (B) : 2 365 mm Usable width (C) : 1 035 mm Superficie : 2,45 m<sup>2</sup></p>
<b>Wide version</b>	<p><b>Tipper</b></p> <p>Usable length (B) : 1 865 mm Usable width (C) : 1 250 mm Superficie : 2,33 m<sup>2</sup></p>	<p><b>Tipper</b></p> <p>Usable length (B) : 2 365 mm Usable width (C) : 1 250 mm Superficie : 2,96 m<sup>2</sup></p>