

UTILITY **ELECTRIC** VEHICLE
**WASTE COLLECTOR
WITH LAMBO DOORS**



100% electric
0g of CO²/km



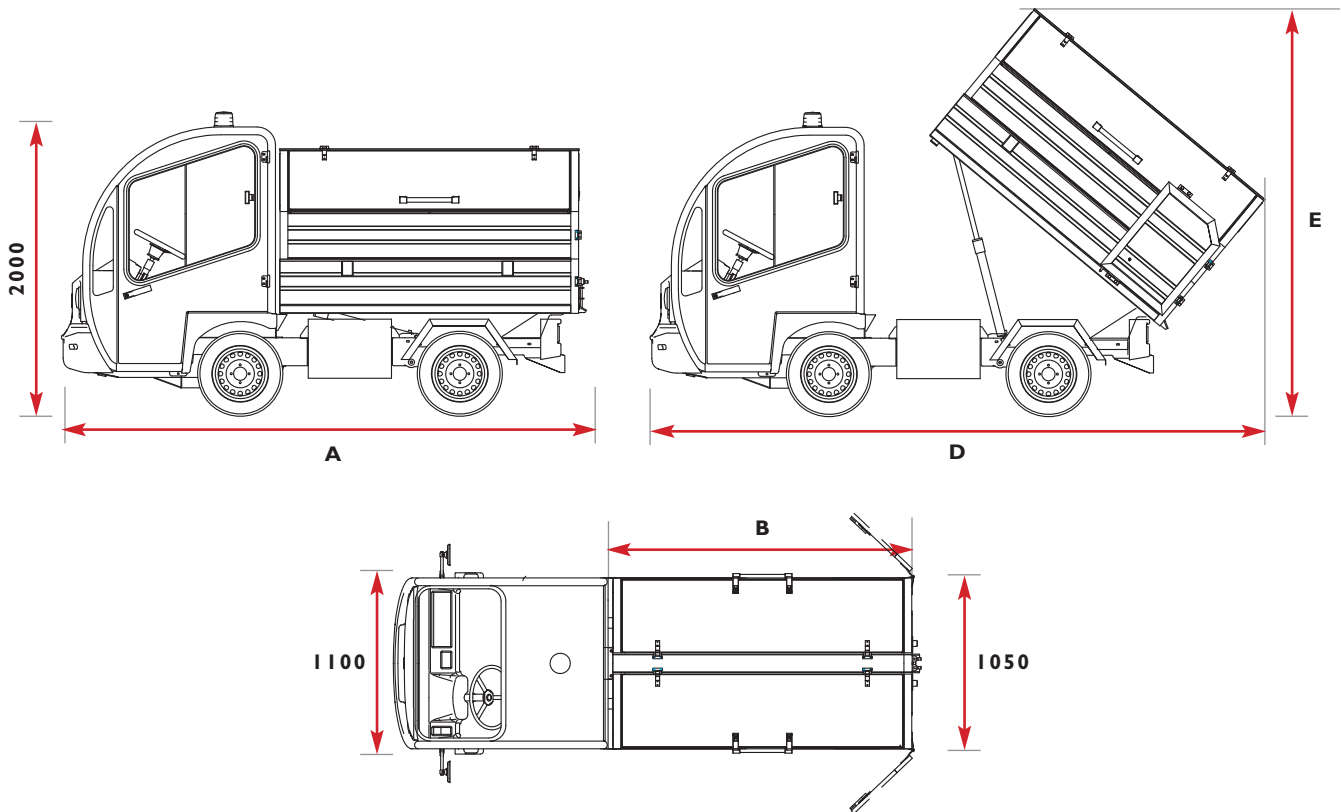
SPECIFICATIONS

- For the vehicle specifications, refer to the chassis sheet
- Cathaphoresis anticorrosive treatment
- Aluminium Container
- 2 lambo side doors lockable with gas cylinder
- Rear door with double opening on the side
- Lifted by hydraulic cylinder. Safety device: no return valve
- Capacity from 1,60m³ to 2,00m³
- Loading height : 1,30m
- Payload from 500 to 600 kg in the container*



WASTE COLLECTOR WITH LAMBO DOORS

DIMENSIONS



	Short version G3-S	Long version G3-L
Vehicle	length (A) : 3 400 mm Length tipped (D) : 4 020 mm Heigth tipped (E) : 2 700 mm	length (A) : 3 900 mm Length tipped (D) 4 520 mm Heigth tipped (E) : 2 950 mm
Waste tipping collector	Usable length (B) : 1 870 mm Capacity : 1,60 m ³	Usable length (B) : 2 370 mm Capacity : 2,00 m ³