

VEICOLI **ELETRICI** UTILITARIO

ELECTRIC WATERING AND SPRAYING SYSTEM



- A range of professional equipments, fully electric.

- The 240Ah batteries are to provide a sufficient range for both driving and watering. When discharged, the batteries are protected by the battery discharge indicator switching off the watering and spraying



- All the equipments are designed by Goupil to perfectly fit with the G3 tipper. The cleaning system can easily be removed

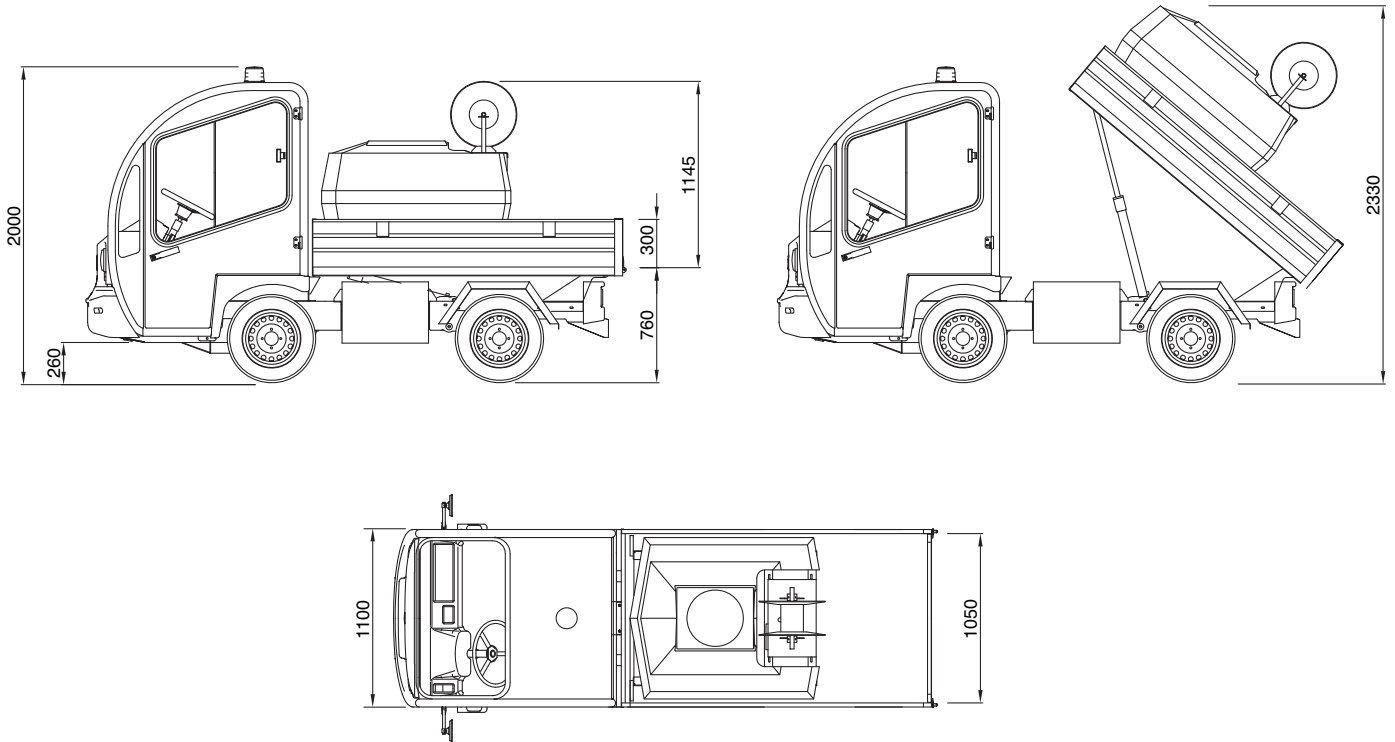
OPTIONS



Watering and spraying with 2 proportioning pumps



ELECTRIC WATERING AND SPRAYING SYSTEM



WATERING EQUIPMENT

- Watering mounted on removable skid anticorrosive steel frame with quick fixation on tipper
- 500 litres polyester tank with anti-rocking bulkhead
- 30 litres/min with pressostat
- Electric motor 700W 24 V with DC convector. 25m hose diam 19mm on manual hose reel (anti-crushing hose)
- Watering handgun with rose (1m)

OPTIONS

- Extension arm
- Automatic hose reel (15m)
- Telescopic handgun with rose (2m)
- 1 DOSMATIC proportioning pump
- Adjustable from 0,5% to 2,5% or 1% to 5%

SPRAYING EQUIPMENT

- System mounted on removable skid
- 12 V electric pump : 5,5l/min, 1 bar with DC convector 48V-12V
- 10l rinse tank integrated with hand wash tap
- Handsprayer protected against projection
- 2 nozzles : 0,8 and 1 mm
- 15 m automatic hose reel
- 1 DOSMATIC proportioning pump rate from 0,5 % to 2,5 %

OPTIONS

- Second pump in serial
 - 2 treatments in one way and one integrated by-pass on each dosing pump to neutralize it
 - Dosing rate from 0,5% to 2,5% or 1% to 5%