

COMBINED HIGH-PRESSURE CLEANER TIPPER



100% electric
0g CO₂/km



SPECIFICATIONS

- Vehicle characteristics : please refer to the Chassis G3L specifications

TIPPER

- Rated load : 400 kg on deck
- Aluminium deck
- Single effect hydraulic cylinder with non return valve and safety prop
- Fixed sides and rear opening

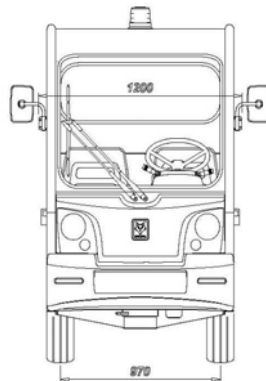
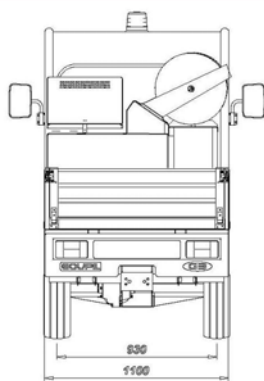
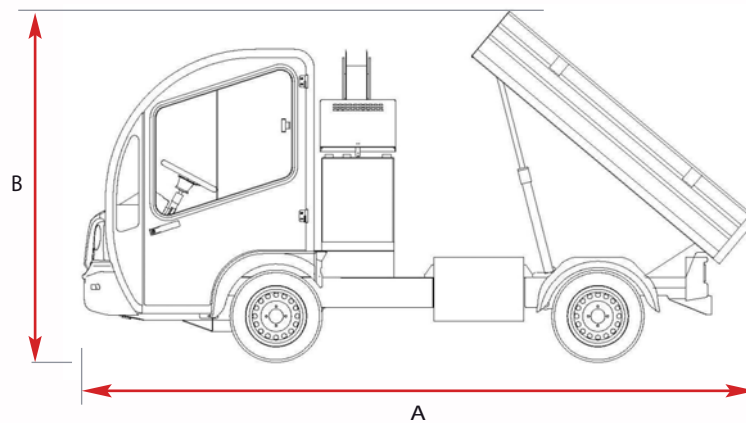
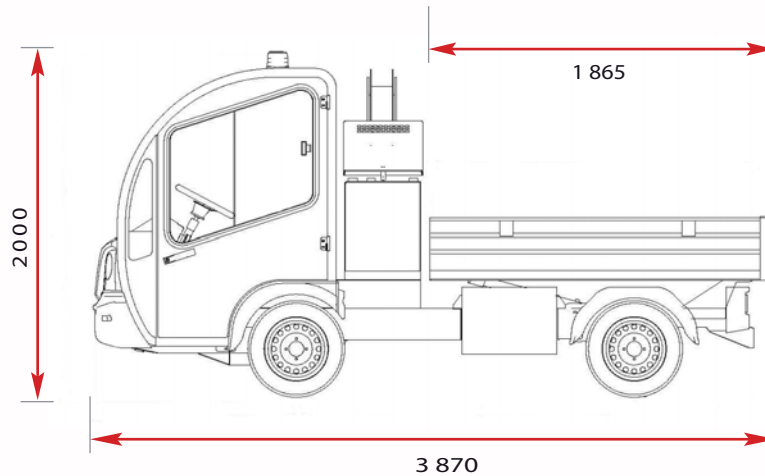
HIGH-PRESSURE CLEANER

- Capacity : 200 litres
- Pressure 130 bars, flow 7 litres/mn - Adjustable pressure between 50 and 130 bars
- Electric motor 48V, 2kW
- Automatic reel with 15m hose pipe
- Double spray lance : high and low pressure (10 bars, 10 litres / mn)



COMBINED HIGH-PRESSURE CLEANER TIPPER

DIMENSIONS



VEHICLE

Length : 3 870 mm
Length deck tipped (A) : 4 010 mm
Height deck tipped (B) : 2 130 mm

TIPPER

Length: 1 865 mm
Width: 1 035 mm
Load area : 1,93 m²