

UTILITY ELECTRIC VEHICLE

COMBINED TIPPING WASTE COLLECTOR HIGH-PRESSURE CLEANER

100% electric
0g CO₂/km



SPECIFICATIONS

- Vehicle characteristics : please refer to the Chassis G3L specifications

TIPPING WASTE COLLECTOR

- 400 kg payload in the container
- Capacity : 1,80 m³
- Aluminium collector
- Hydraulic cylinder with non return valve and safety prop
- 2 side loading hatches lockable in open position

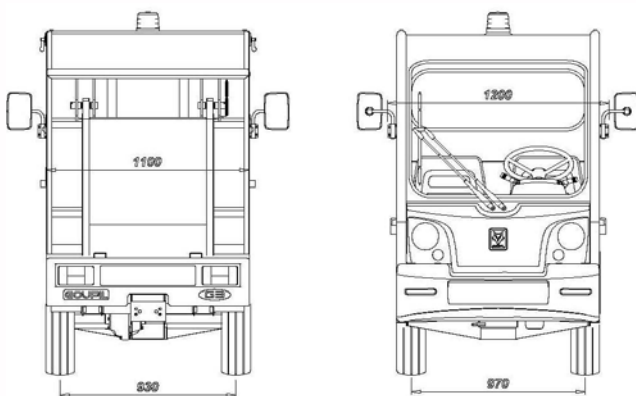
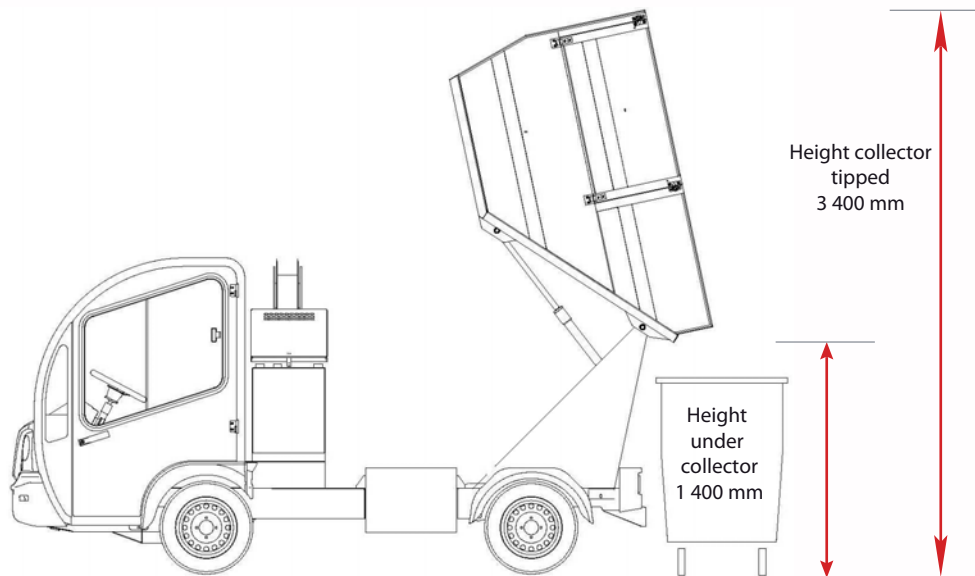
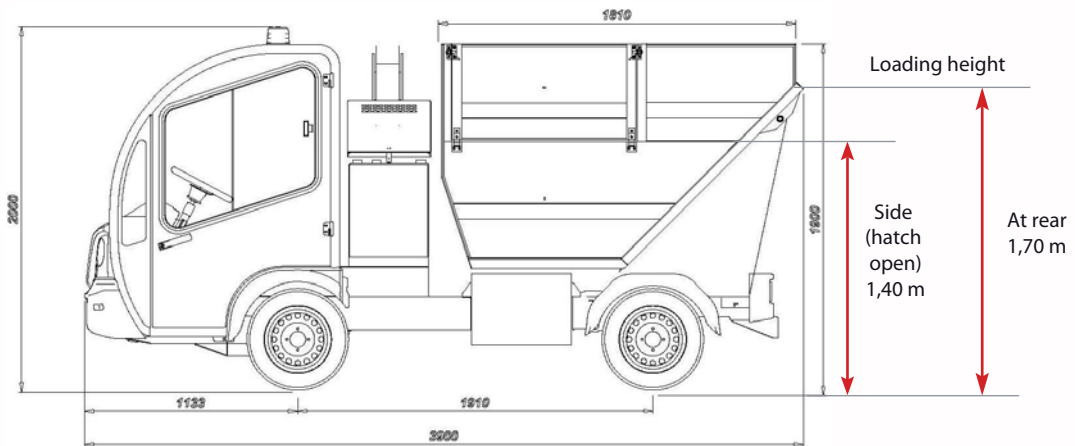
HIGH-PRESSURE CLEANER

- Capacity : 200 litres
- Pressure 130 bars, flow 7 litres/mn - Adjustable pressure between 50 and 130 bars
- Electric motor 48V, 2kW
- Automatic reel with 15m hose pipe
- Double spray lance : high and low pressure (10 bars, 10 litres / mn)



COMBINED TIPPING WASTE COLLECTOR HIGH-PRESSURE CLEANER

DIMENSIONS



Vehicle

Length: 3 900 mm
Overall width: 1 100 mm
Height: 2 000 mm
Height tipped: 3 400 mm

Tipping waste collector

Length: 1 810 mm
Load width: 1 045 mm
Capacity: 1,80 m³
Rated load: 400 kg